

# mr.steam® CU/MS Light

## Installation and Operating Instructions

The CU/MS light is a wet location listed fixture that is suitable for wall or ceiling mounting.

**! WARNING** Installation to be performed by a qualified and licensed electrician.

The CU/MS light operates on 120 volts

**IMPORTANT NOTE:** Install CU/MS Light in accordance with National and local electrical codes.

**IMPORTANT NOTE:** A wall switch should be used to turn the light on and off. The CU/MS light will not work if used with a dimmer switch.

**! WARNING** DO NOT install the wall switch in the steam room. The switch must be installed in a location and manner described in the NEC and local electric codes.

**! WARNING** Ensure that the power is not supplied to the field wiring during installation, turn off power at breaker panel, or remove fuse at fuse box.

1. Determine the placement of the fixture. The fixture will be mounted on a recessed round or octagon junction box.
2. Securely mount the recessed junction box.

**! WARNING** Do not install the CU/MS light where direct contact with steam or water emission could occur. Do not install the light where it could become submerged.

3. Provide electrical service (120 VAC) to the junction box.
4. Secure the mounting plate to the junction box using the hardware provided, as shown.
5. Connect the supply wires from the junction box to the CU/MS Light by connecting the black wire to black wire, white wire to white wire using the wire nuts provided. Connect the bare copper ground wire to the supply's ground wire using the wire nuts provided.

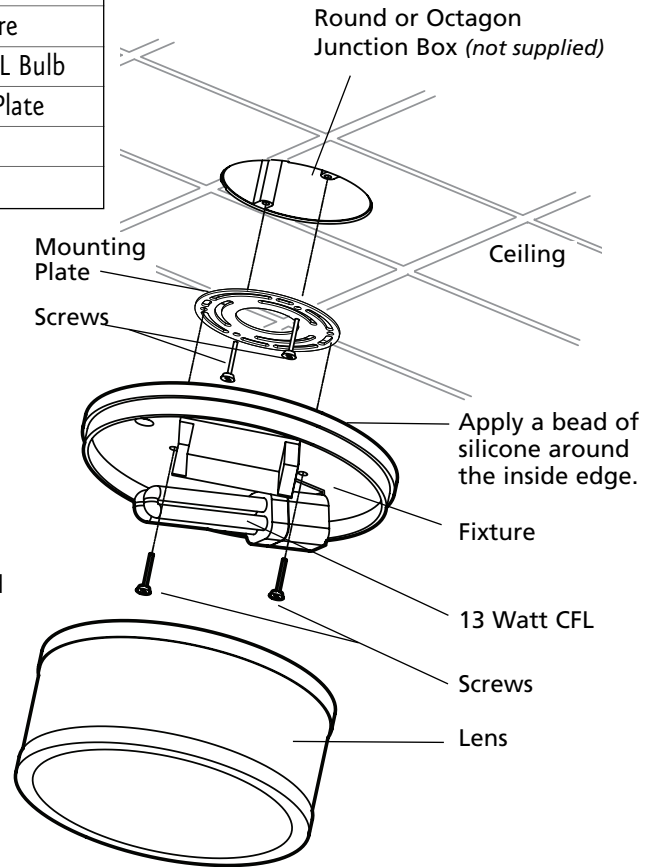
**IMPORTANT NOTE:** In older buildings it is always good practice to reconfirm the polarity of the wiring.

6. Using the screws provided, secure the fixture (with the lens removed) to the mounting plate attached to the junction box. Do not over tighten the screws.
7. Apply a bead of silicone around the outer edge of the fixture where it meets the ceiling/wall.
8. Install the CFL bulb.
9. Gently thread the lens into the fixture, ensuring it is fully seated and secure.
10. Restore power to the fixture at the circuit breaker or fuse box.

**CARE TIPS:** Use only mild soap and water on a soft cloth to clean the exterior of the CU/MS Light. Do not use abrasive cleansers.

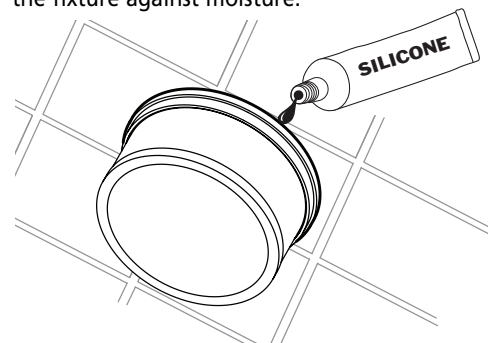
### BOX CONTENTS:

- |   |                  |
|---|------------------|
| 1 | Light Fixture    |
| 1 | 13 watt CFL Bulb |
| 1 | Mounting Plate   |
| 4 | Screws           |
| 3 | Wire Nuts        |



### ASSEMBLED LIGHT

Apply silicone around the outer edge of the fixture where it meets the ceiling/wall as required to seal the fixture against moisture.



SPARE PARTS	PN
13 Watt CFL Bulb	104073

**IMPORTANT NOTE:** As you follow these instructions, you will notice warning and caution symbols. This information is important for the safe and efficient installation and operation of this generator. These are types of potential hazards that may occur during this installation and operation:

**! CAUTION** states a hazard which may cause serious injury or death if precautions are not followed.

**! WARNING** signals a situation where minor injury or product damage may occur if you do not follow instructions.